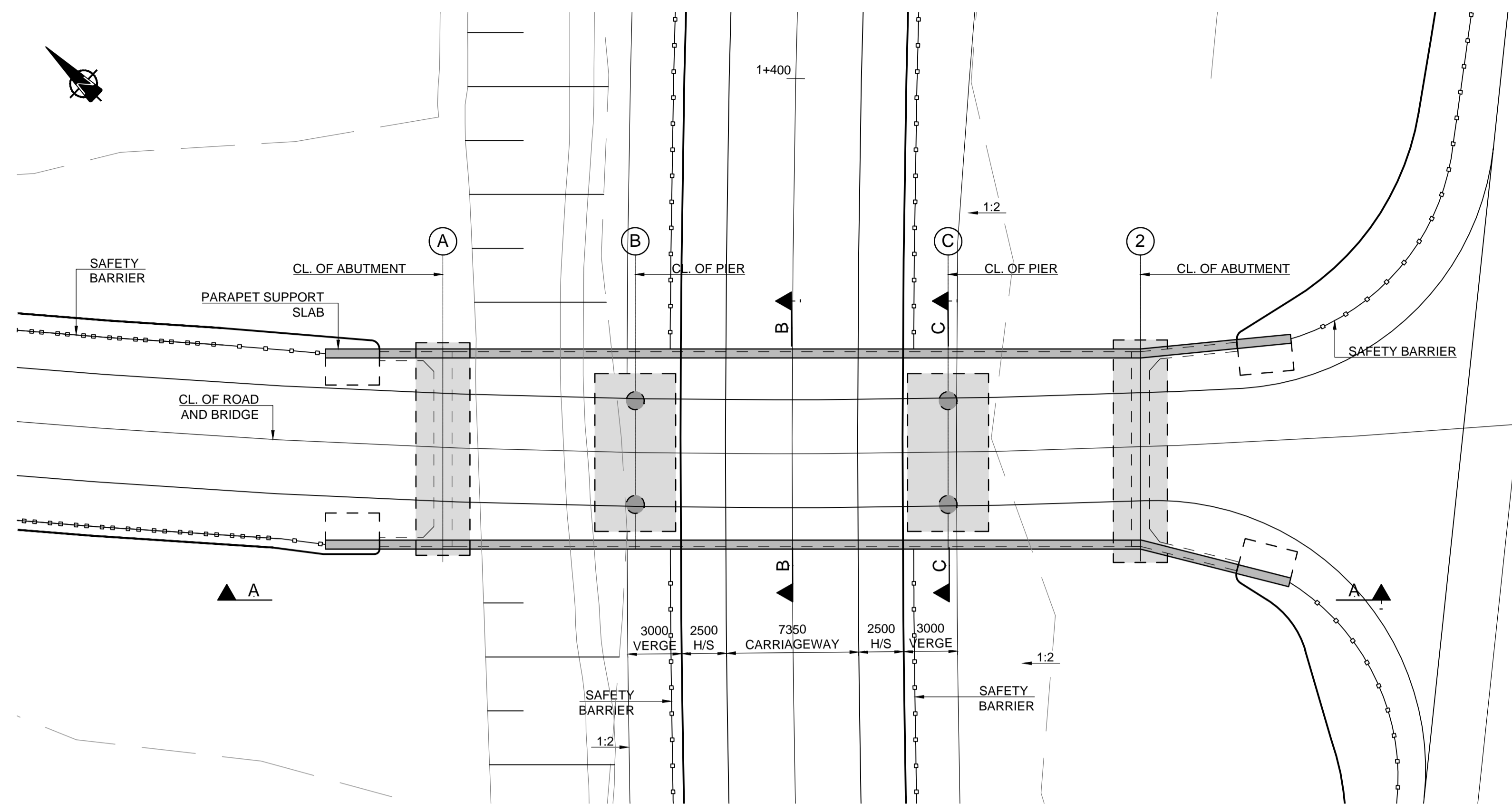
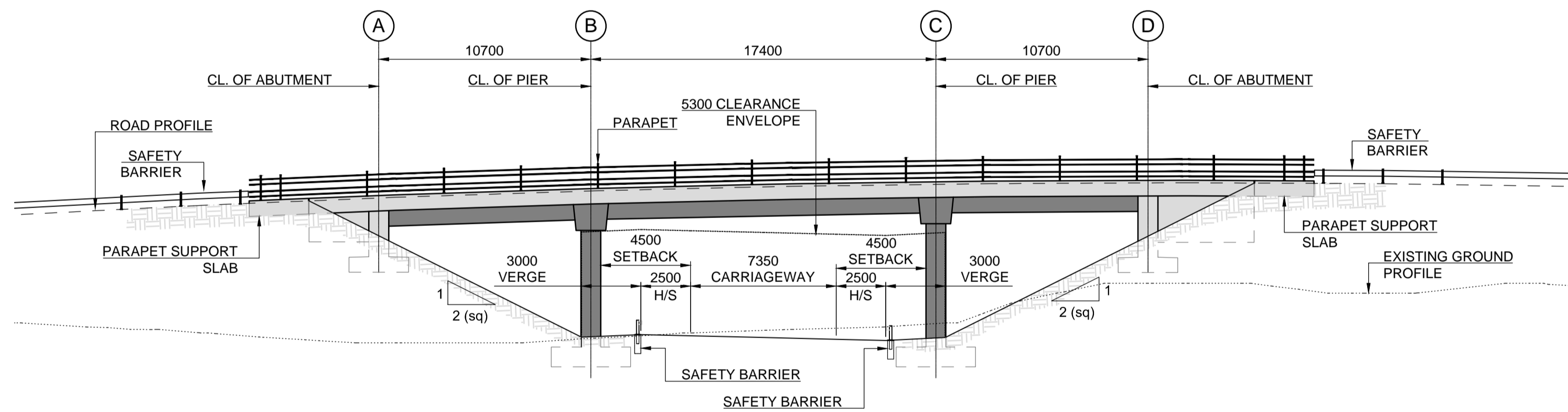


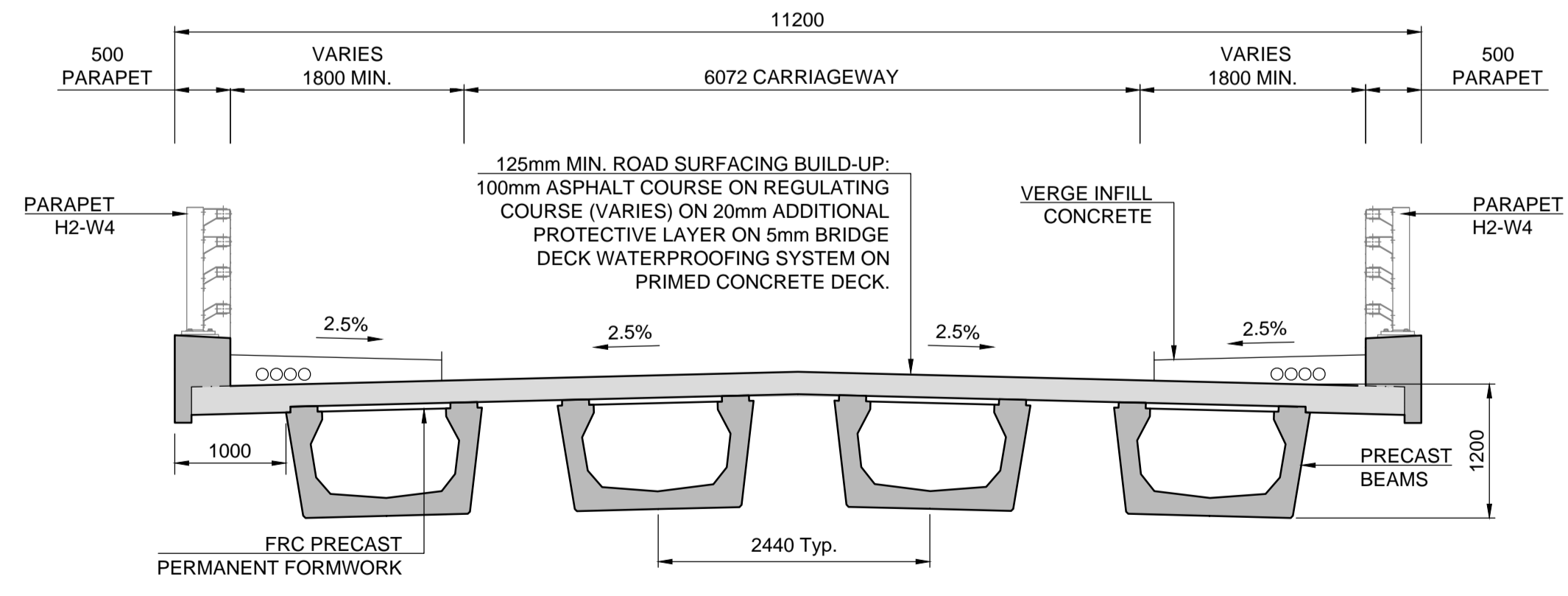
- NOTES:**
- ALL DIMENSIONS ARE SHOWN IN MILLIMETRES UNLESS NOTED OTHERWISE.
 - ALL LEVELS ARE SHOWN IN METRES ABOVE ORDNANCE DATUM.



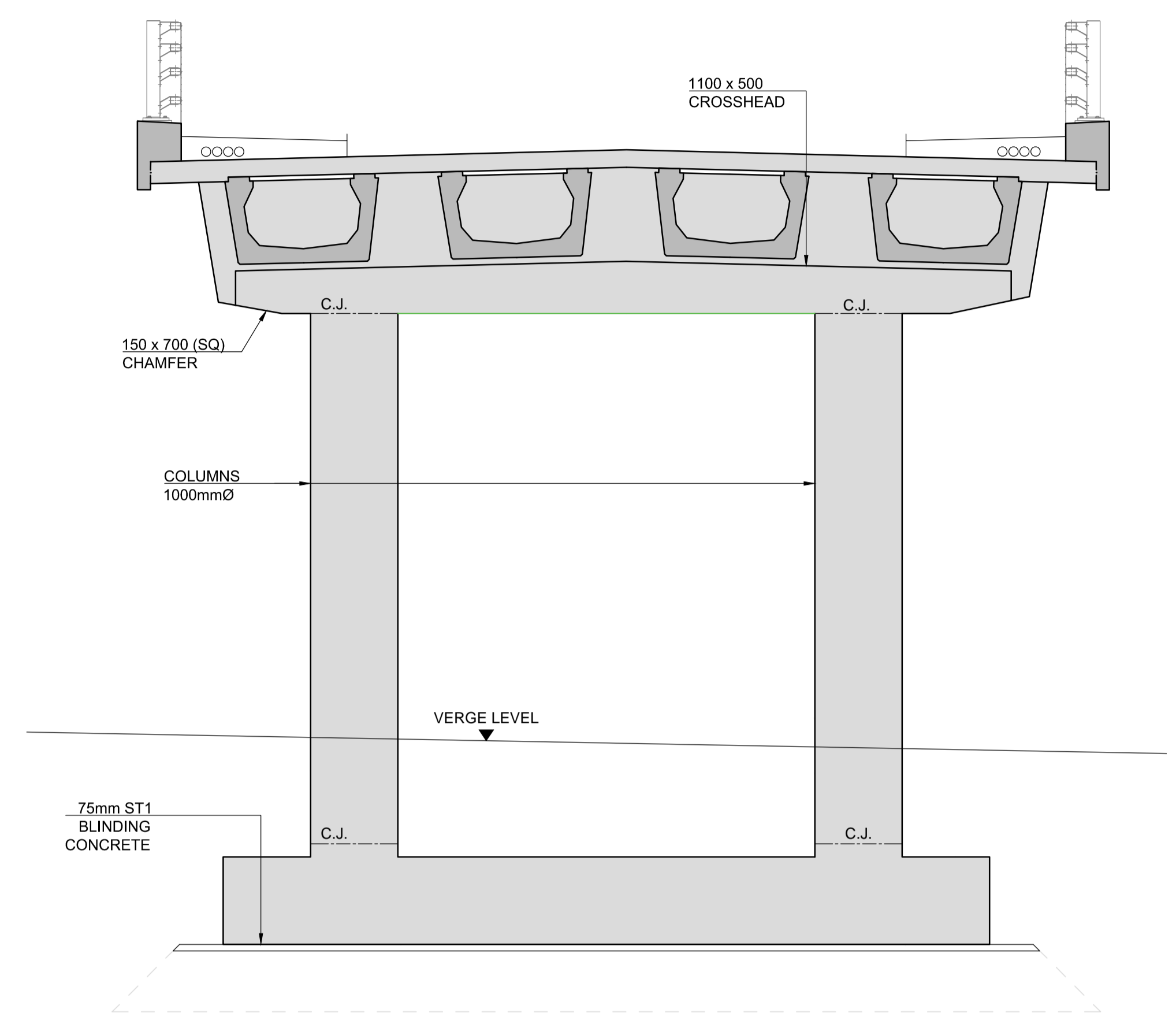
PLAN ON BRIDGE
SCALE 1:200



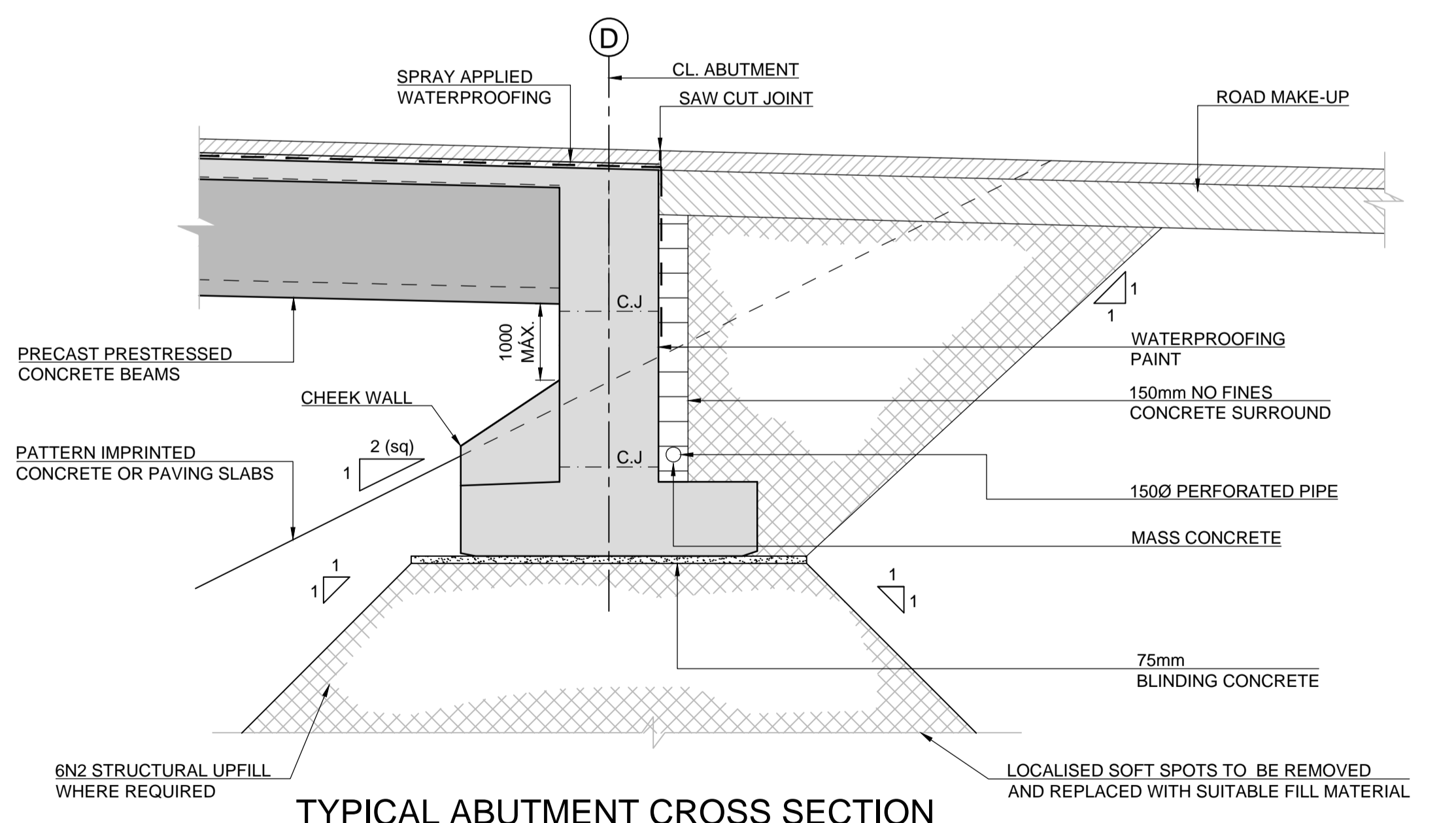
SECTION A-A
SCALE 1:200



SECTION B-B
SCALE 1:50



SECTION C-C
SCALE 1:50



TYPICAL ABUTMENT CROSS SECTION
SCALE 1:50

San áireamh tá sonraíocht Shuirbhéireacht Ordnáis Éireann arna aitéirgeadh faoi Cheadúnas OSI Uimh. 2010/18CCMA/Comhairle Contae na Gaillimhe. Sírúinn aitéirgeadh neamhdáraithe cóipeacht Shuirbhéireacht Ordnáis Éireann agus Bialtas na hÉireann. © Shuirbhéireacht Ordnáis Éireann, 2010.

© Shuirbhéireacht Ordnáis Éireann. Gach ceart ar chosaint. Uimhir cheadúnais 2010/18CCMA/Comhairle Contae na Gaillimhe.

Includes Ordnance Survey Ireland data reproduced under OSI Licence number 2010/18CCMA/Galway County Council. Unauthorised reproduction infringes Ordnance Survey Ireland and Government of Ireland copyright. © Ordnance Survey Ireland, 2010.

© Ordnance Survey Ireland. All rights reserved. Licence number 2010/18CCMA/Galway County Council.

Clients

Comhairle Chontae na Gaillimhe
Galway County Council

Galway City Transport Project

An Roinn Iompair
Turasoireachta agus Spóirt

TIU
Bonnagar Iompair Éireann

Consultant

ARUP

Corporate House
City East Business Park
Ballybrit, Galway, Ireland.

Tel +353 (0)91 460675
www.N6GalwayCity.ie
www.arup.ie

Job Title

N6 Galway City Ring Road

Scale

AS SHOWN @ A1

Date

February 2018

Issue	Date	By	Chkd	Appd
I2	22/02/2018	MS	PM	EMC
I1	26/06/2017	MS	PM	EMC

Drawing Title

Standard Overbridge Structure S01-01

Drawing Status

For Information

Job No

233985

Drawing No

GCOB-1700-D-S01-01-001

Issue

12